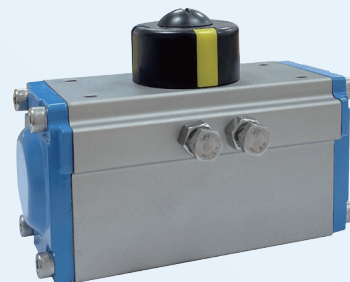
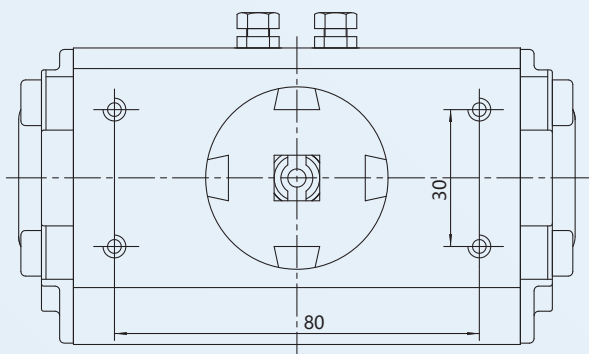
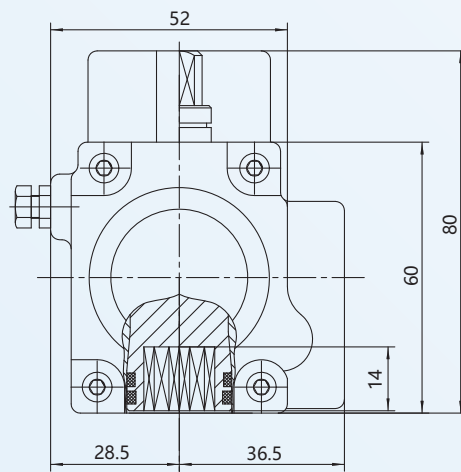
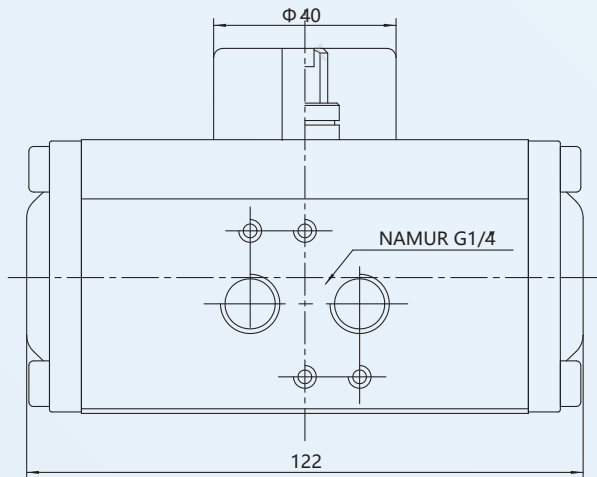
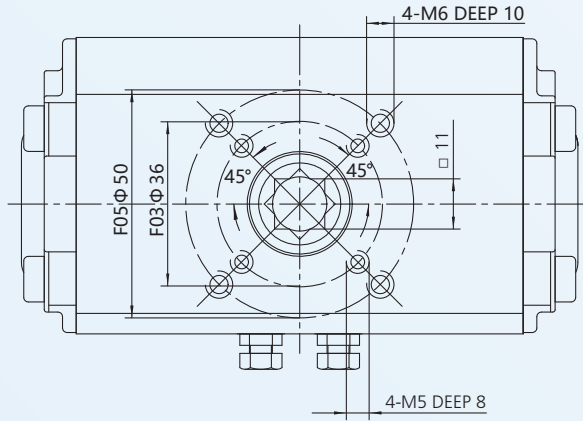




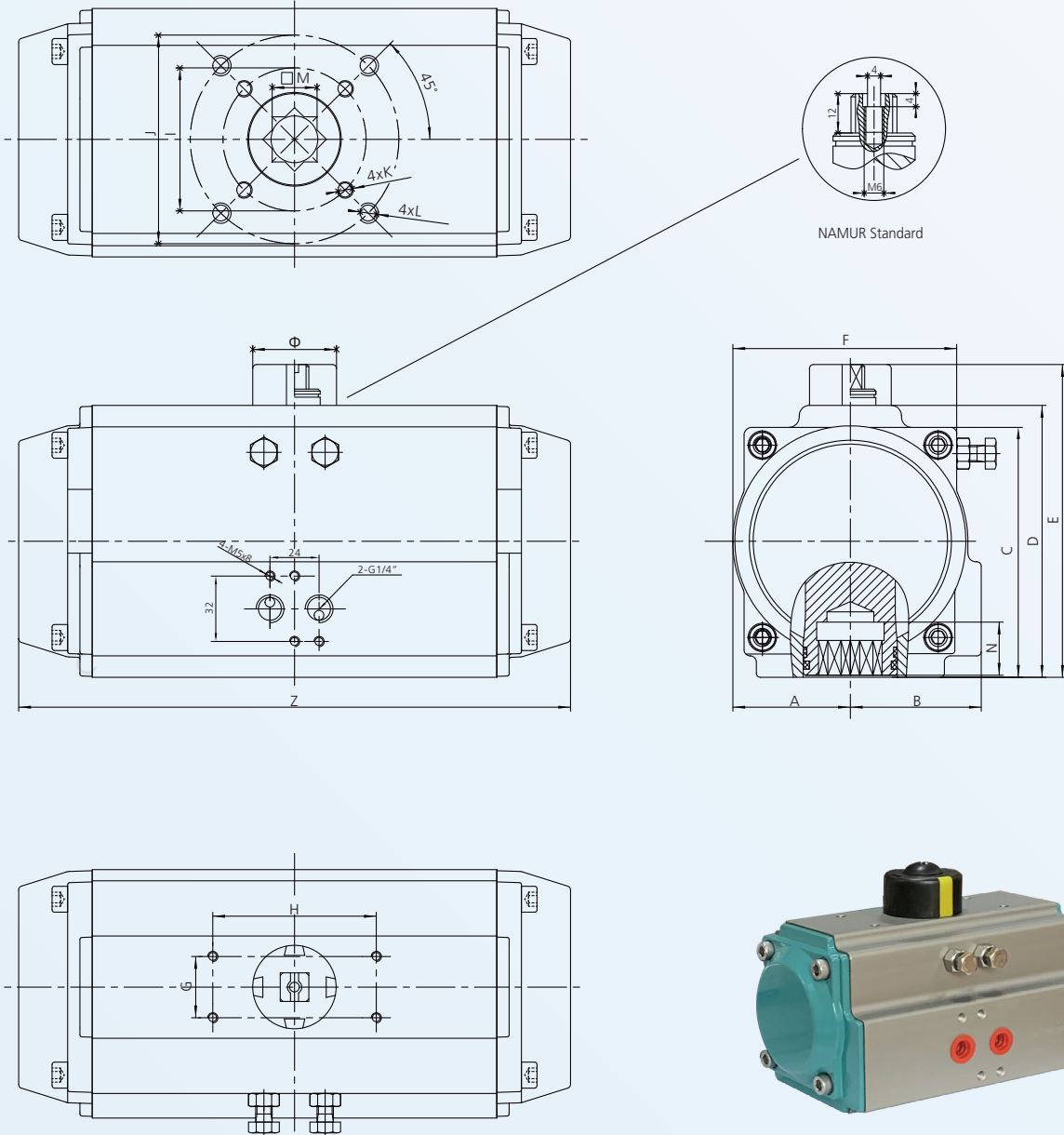
# Dimensional Drawing

## Dimension For C-40





## Dimension For C-52 ~ C-160



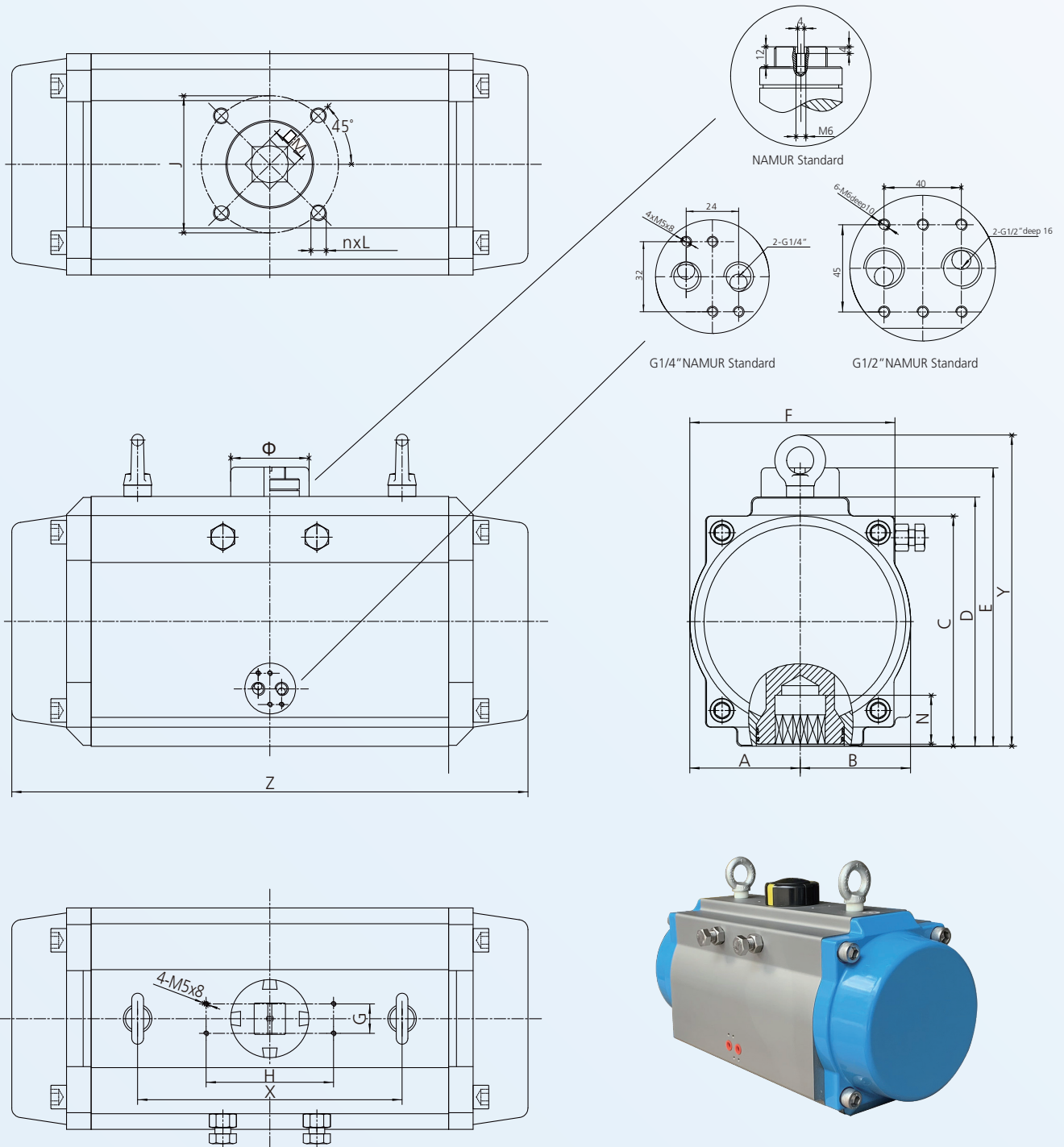
Unit: mm

Model	A	B	C	D	E	F	G	H	I	J	K	L	M	N	Z	Φ	Air Connection
C-52	30	42	66	72	92	65	30	80	Φ36	Φ50	M5x8	M6x10	11	14	145	Φ40	G1/4" (1/4" NPT)
C-63	36	47	81	88	108	72	30	80	Φ50	Φ70	M6x10	M8x13	14	18	166	Φ40	G1/4" (1/4" NPT)
C-75	42	53	94	100	120	81	30	80	Φ50	Φ70	M6x10	M8x13	14	18	180	Φ40	G1/4" (1/4" NPT)
C-83	46	57	99	109	129	92	30	80	Φ50	Φ70	M6x10	M8x13	17	21	205	Φ40	G1/4" (1/4" NPT)
C-92	50	59	111	117	137	98	30	80	Φ50	Φ70	M6x10	M8x13	17	21	258	Φ40	G1/4" (1/4" NPT)
C-105	58	64	123	133	153	110	30	80	Φ70	Φ102	M8x13	M10x16	22	26	270	Φ40	G1/4" (1/4" NPT)
C-125	68	75	146	155	175	128	30	80	Φ70	Φ102	M8x13	M10x16	22	26	302	Φ55	G1/4" (1/4" NPT)
C-140	75	77	161	172	192	138	30	80	Φ102	Φ125	M10x16	M12x20	27	31	394	Φ55	G1/4" (1/4" NPT)
C-160	87	87	184	197	217	158	30	80	Φ102	Φ125	M10x16	M12x20	27	31	451	Φ55	G1/4" (1/4" NPT)



# Dimensional Drawing

## Dimension For C-190 ~ C-270

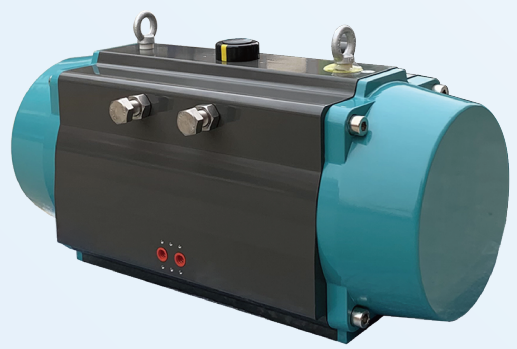
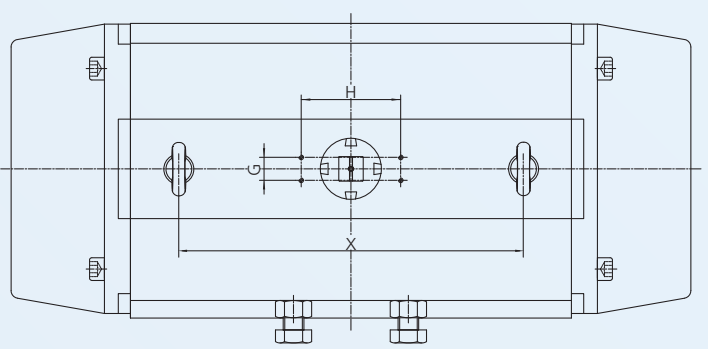
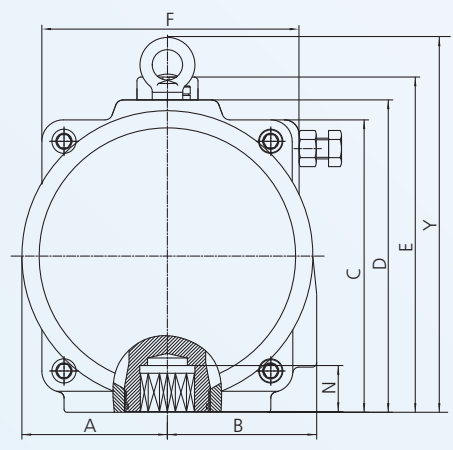
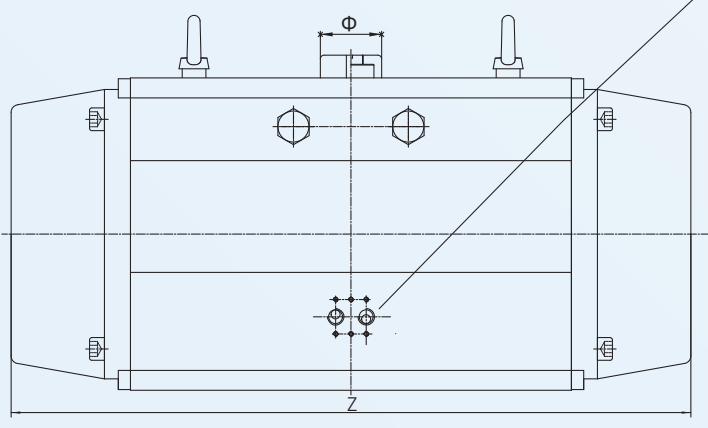
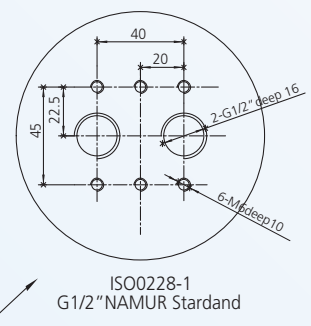
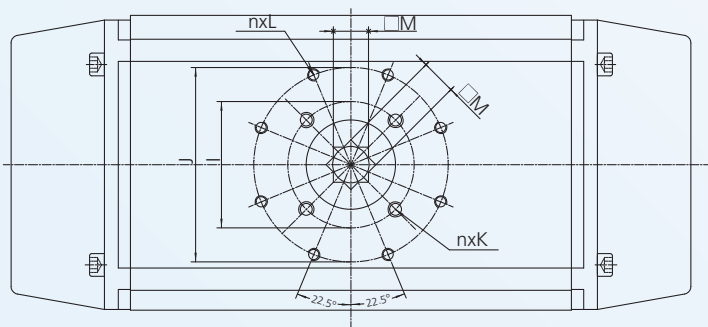


Unit: mm

Model	A	B	C	D	E	F	G	H	I	J	K	L	M	N	X	Y	Z	Φ	Air Connection
C-190	103	103	216	230	260	189	30	130		Φ 140		M16x25	36	40	270	294	522	Φ 80	G1/4" (1/4" NPT)
C-210	113	113	236	255	285	210	30	130		Φ 140		M16x25	36	40	270	319	527	Φ 80	G1/4" (1/4" NPT)
C-240	130	130	265	289	319	245	30	130		Φ 165		M20x25	46	50	270	353	598	Φ 80	G1/4" (1/4" NPT)
C-270	147	147	299	326	356	273	30	130		Φ 165		M20x25	46	50	350	400	720	Φ 80	G1/2" (1/2" NPT)



**Dimension For C-300 ~ C-350**



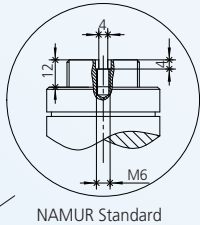
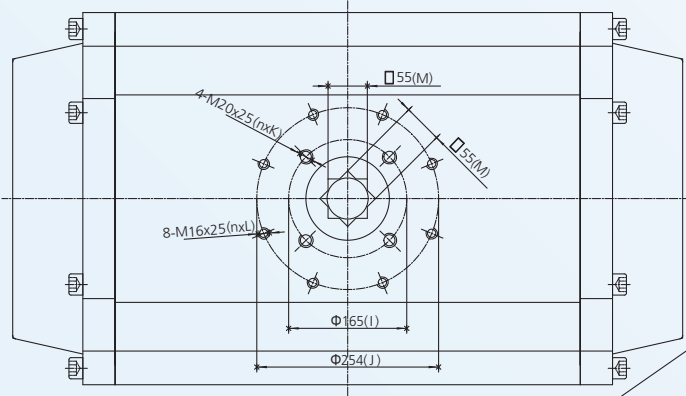
Unit: mm

Model	A	B	C	D	E	F	G	H	I	J	K	L	M	N	X	Y	Z	Φ	Air Connection
C-300	160	173	329	352	382	289	30	130	Φ165	Φ215	4-M20x25	4-M20x25	46	60	350	426	757	Φ80	G1/2"(1/2"NPT)
C-350	190	195	382	408	438	336	30	130	Φ165	Φ254	4-M20x25	8-M16x25	46	60	450	482	888	Φ80	G1/2"(1/2"NPT)

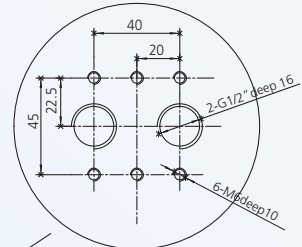


# Dimensional Drawing

## Dimension For C-400



NAMUR Standard



G1/2" NAMUR Standard

